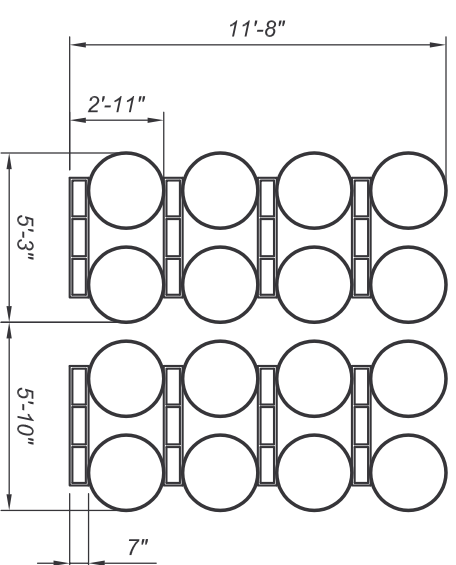
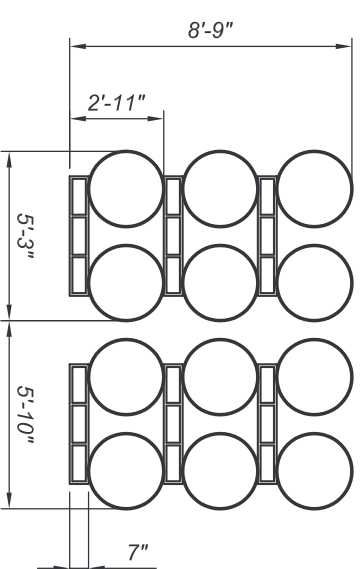


**Standard Rack - 4 high**



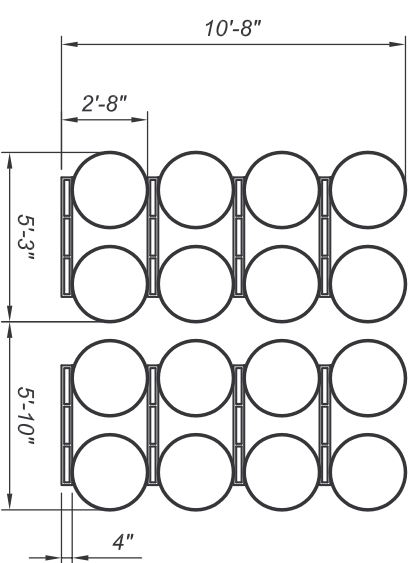
**ELEVATION** 1  
4 High, Standard Rack

**Standard Rack - 3 high**



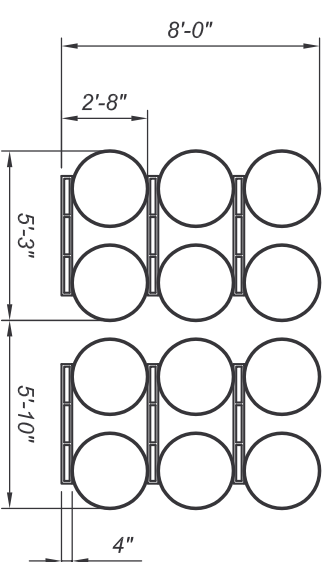
**ELEVATION** 4  
3 High, Standard Rack

**Low-Profile Rack - 4 high**

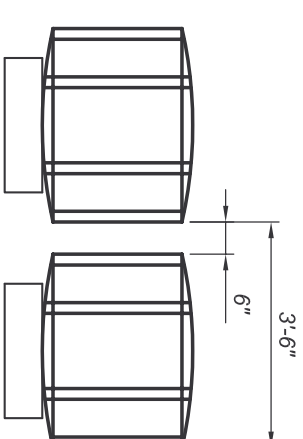


**ELEVATION** 2  
4 High, Low-Profile Rack

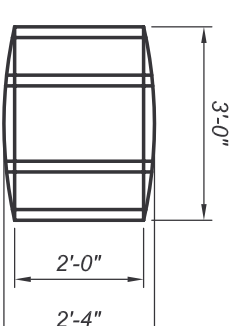
**Low-Profile Rack - 3 high**



**ELEVATION** 5  
3 High, Low-Profile Rack

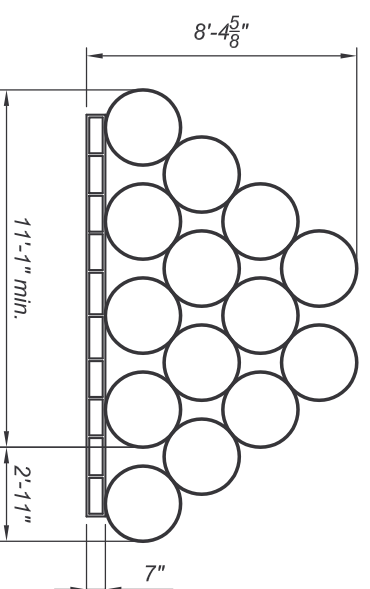


**Multi-Row Layout**



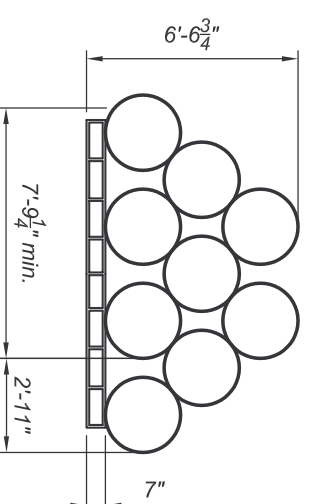
**Barrel Dimensions**

**Pyramid Stack - 4 High**



**ELEVATION** 3  
4 High, Pyramid Stack

**Pyramid Stack - 3 High**



**ELEVATION** 6  
3 High, Pyramid Stack

Company:

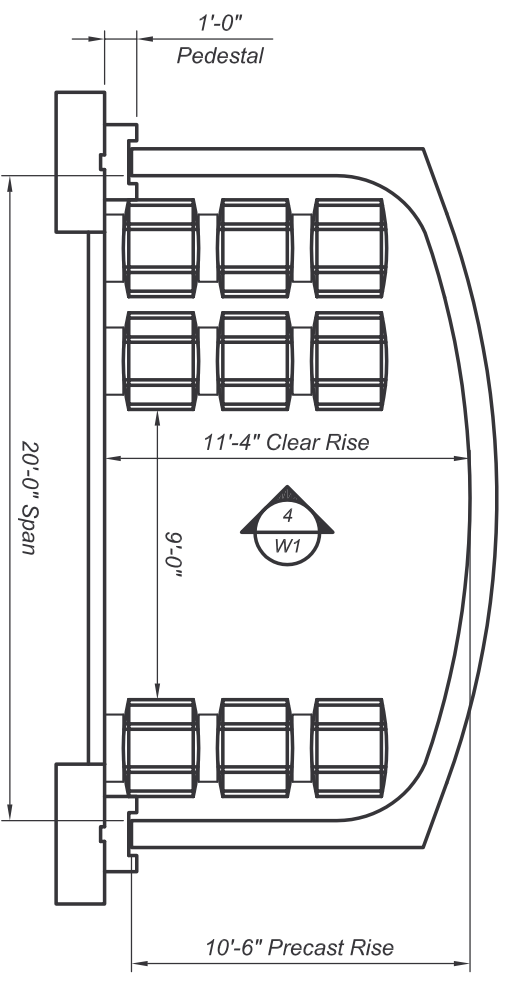
**NATIONAL SPAN INC.** ®

www.nationalspan.com  
info@nationalspan.com

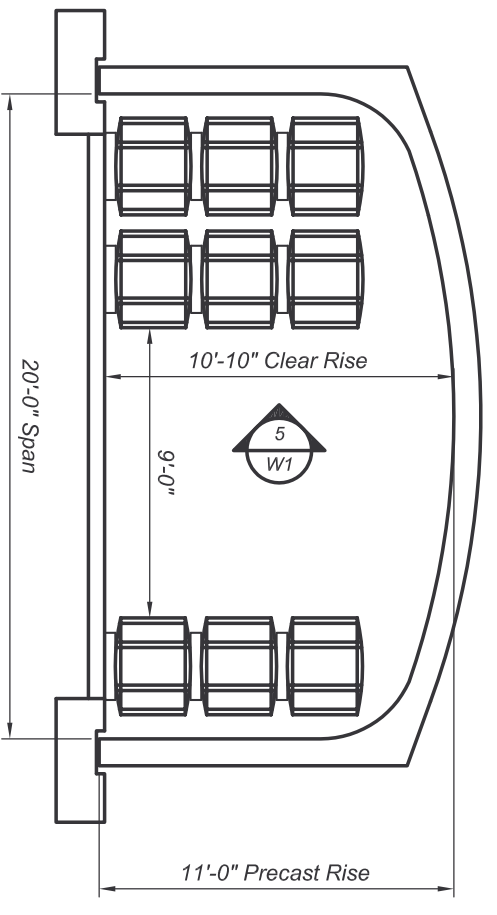
**WINE BARREL STORAGE**

**STACKING AND ROW LAYOUTS**

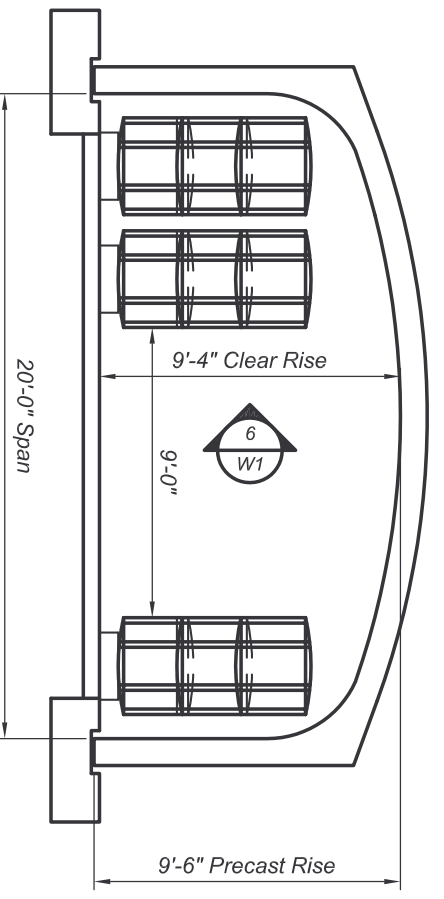
Designed	NDU	Project No.
Drawn	NDU	Sheet No.
Checked	NDU	<b>NB/W1</b>
Date	10-27-09	



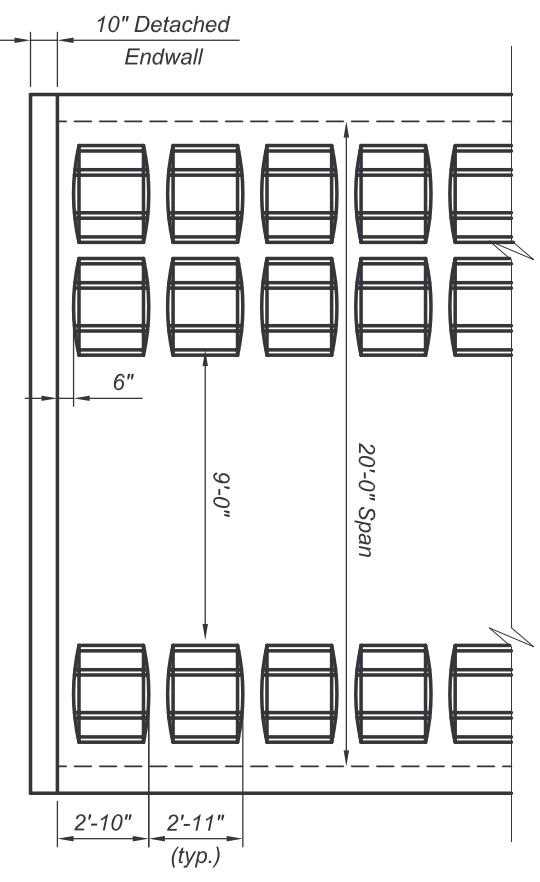
**SECTION**  
3 High, Standard Rack



**SECTION**  
3 High, Low-Profile Rack



**SECTION**  
3 High, Pyramid Stack



**PLAN VIEW**  
3 Rows of Barrel Racks

Company

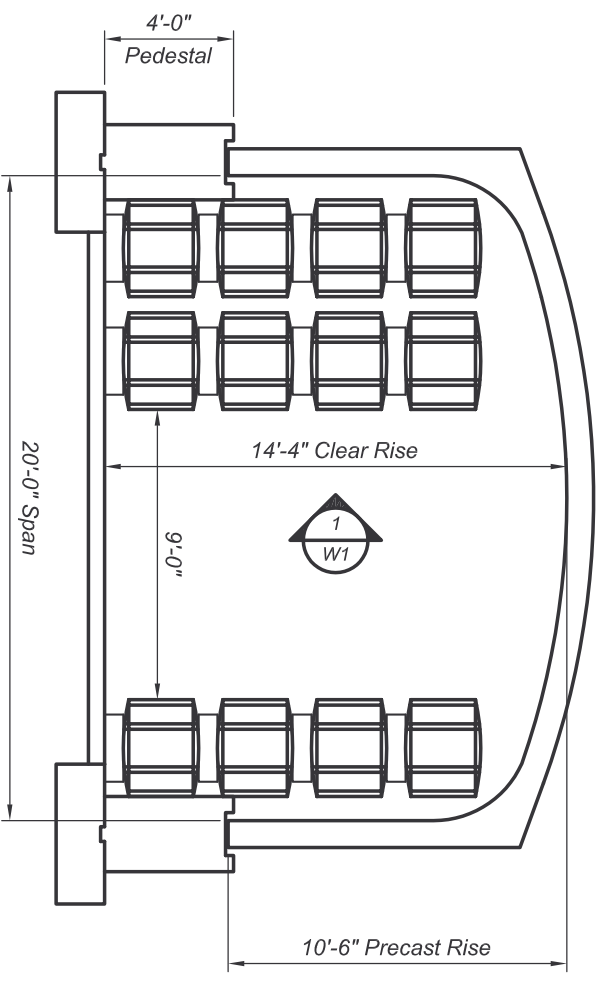
**NATIONAL SPAN INC.** ®

www.nationalspan.com  
info@nationalspan.com

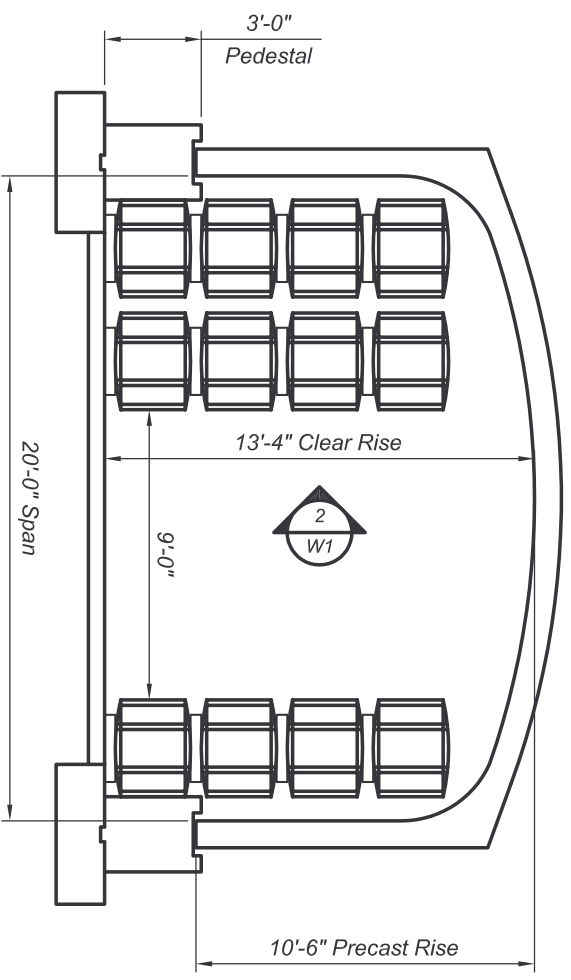
**WINE BARREL STORAGE**  
**20' SPAN - 3 BARREL STACKS**

Designed	NDU	Project No.
Drawn	NDU	Sheet No.
Checked	NDU	
Date	10-27-09	

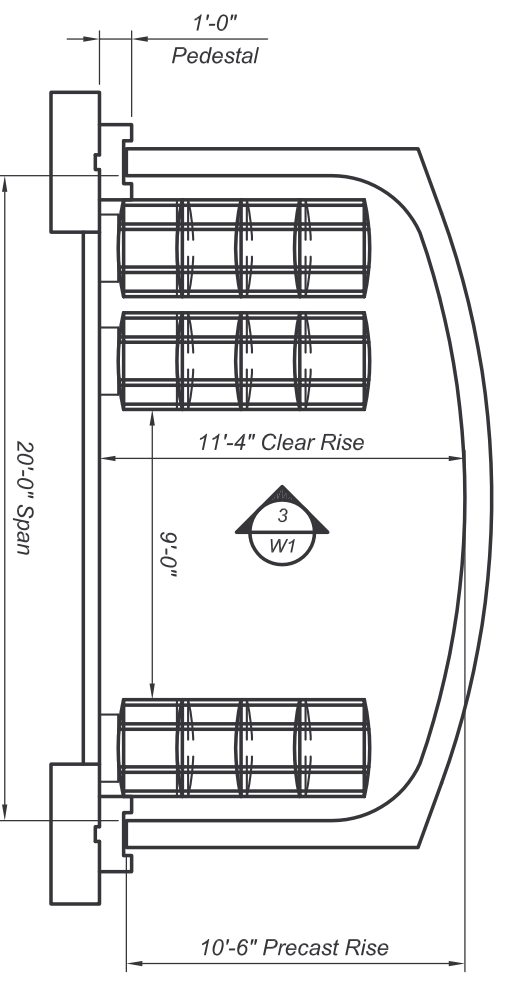
**NB/W2**



**SECTION**  
4 High, Standard Rack

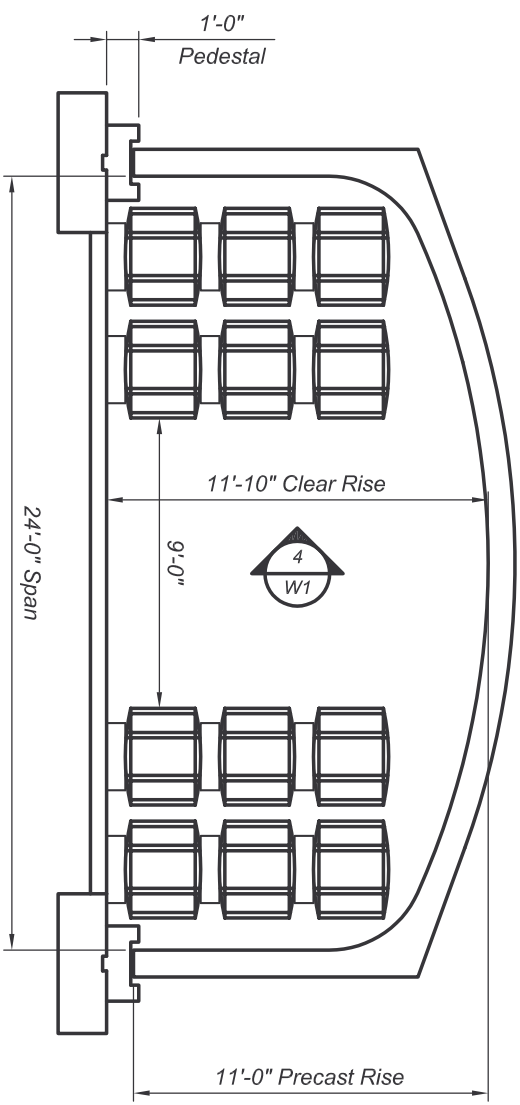


**SECTION**  
4 High, Low-Profile Rack

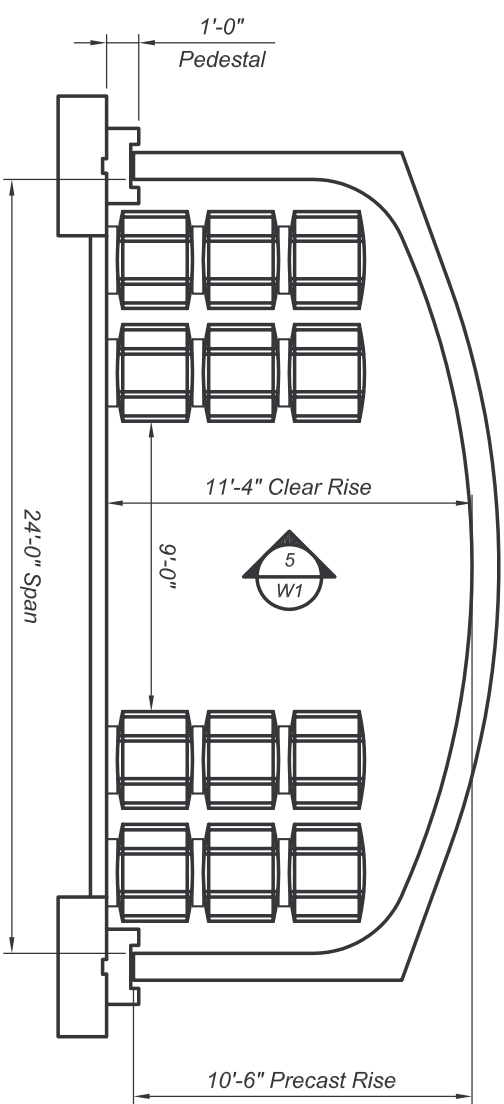


**SECTION**  
4 High, Pyramid Stack

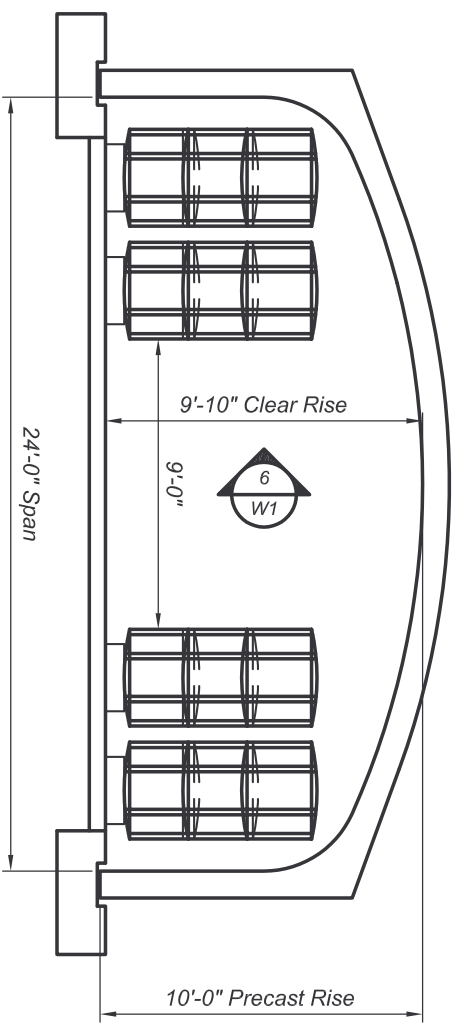

NATIONAL SPAN INC. <sup>®</sup> www.nationalspan.com info@nationalspan.com		<b>WINE BARREL STORAGE</b> <b>20' SPAN - 4 BARREL STACKS</b>	
Designer NDJ	Designer NDJ	Project No. NB/W/3	Project No. NB/W/3
Checked NDJ	Checked NDJ	Sheet No. NB/W/3	Sheet No. NB/W/3
Date 12/20/2007	Date 12/20/2007	Date 12/20/2007	Date 12/20/2007



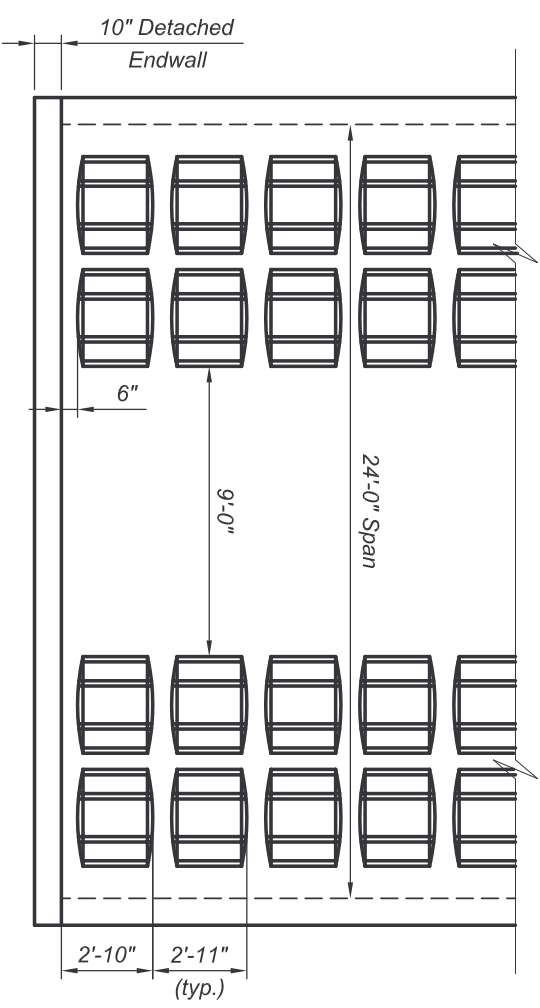
**SECTION**  
3 High, Standard Rack



**SECTION**  
3 High, Low-Profile Rack



**SECTION**  
3 High, Pyramid Stack



**PLAN VIEW**  
4 Rows of Barrel Racks

Company

**NATIONAL SPAN INC.** ®

www.nationalspan.com

info@nationalspan.com

**WINE BARREL STORAGE**  
**24' SPAN - 3 BARREL STACKS**

Designed  
NDU

Project No.

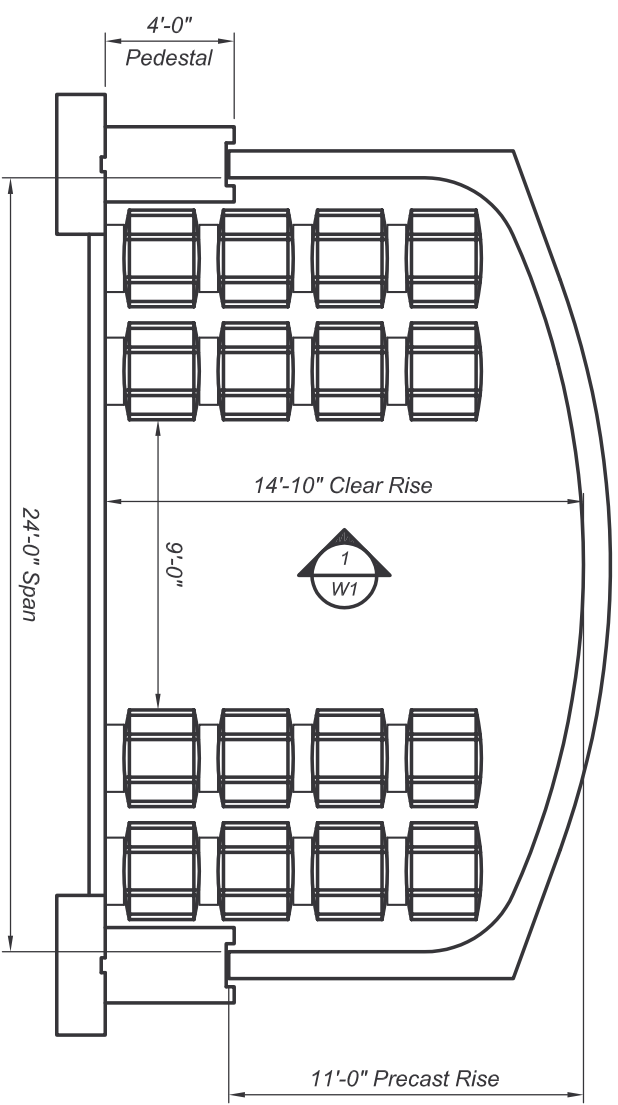
Drawn  
NDU

Sheet No.

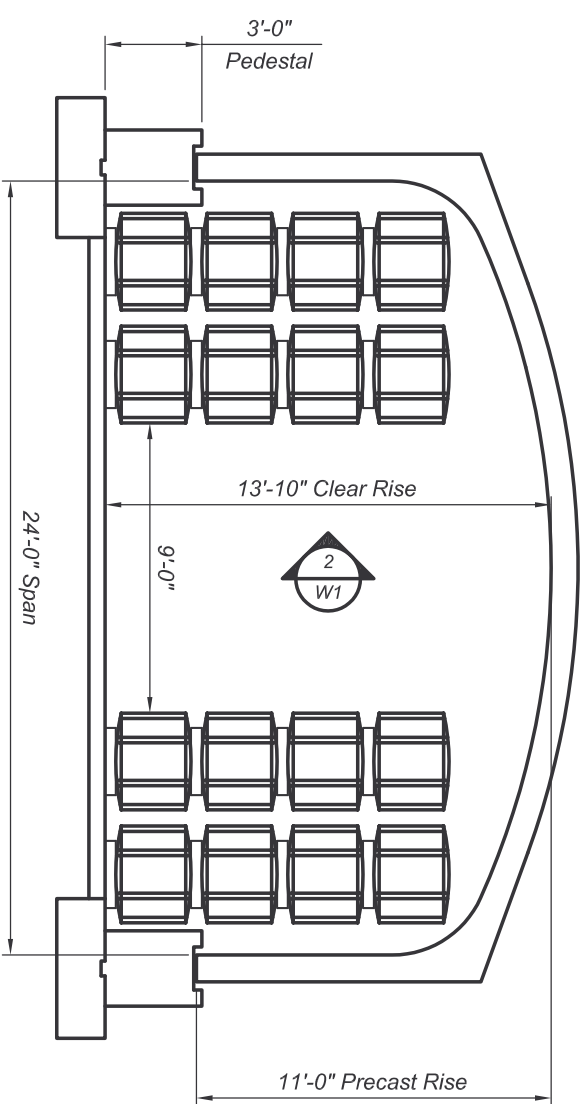
Checked  
NDU

Date  
10-27-09

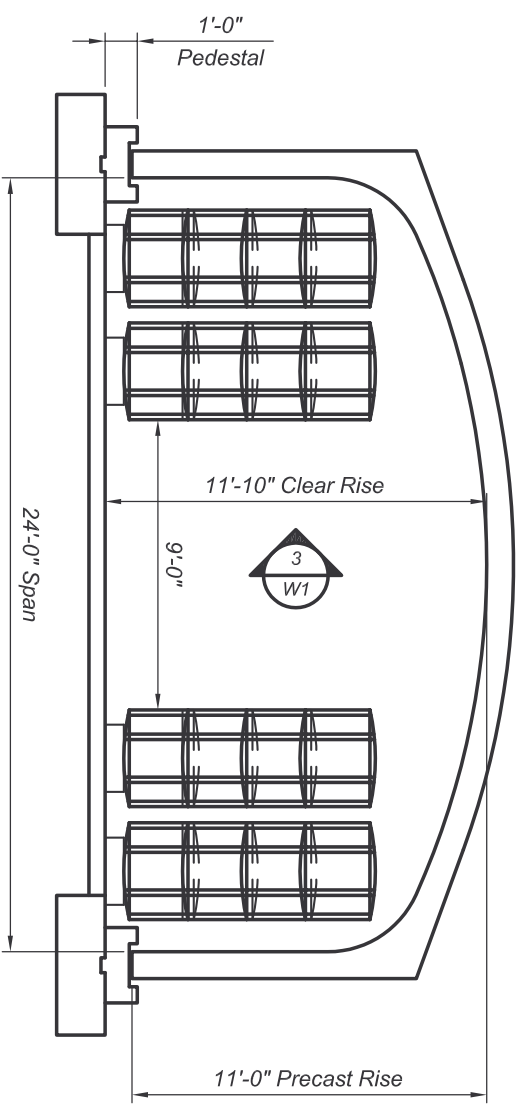
**NB/W4**



**SECTION**  
4 High, Standard Rack



**SECTION**  
4 High, Low-Profile Rack



**SECTION**  
4 High, Pyramid Stack

Company

**NATIONAL SPAN INC.** ®

www.nationalspan.com

info@nationalspan.com

**WINE BARREL STORAGE**  
**24' SPAN - 4 BARREL STACKS**

Designed

NDU

Project No.

Drawn

NDU

Sheet No.

Checked

NDU

**NB/W5**

Date

12/20/2007